



SEAL-A-TRON

Shrink Packaging Equipment

SHRINK TECH SYSTEMS



PREMIUM MACHINERY
at a Reasonable Price!

MODEL T-3616-64 PRODUCTION SHRINK TUNNEL

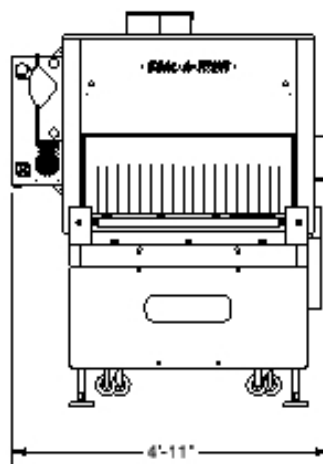
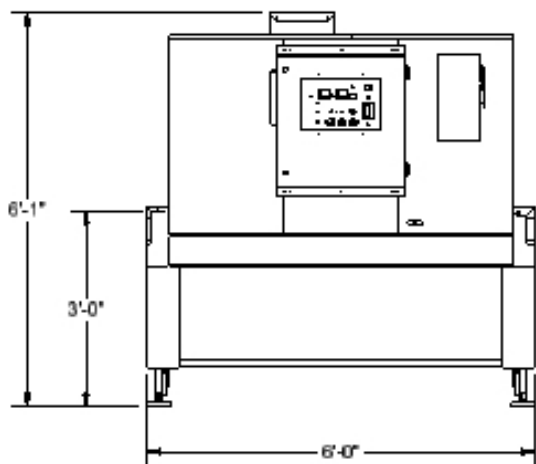
Chamber Dimensions: 36"W x 16"H x 64"L

Standard Features:

- Varilocity 2 HP Variable Frequency Blower
- Kool-Touch Exterior Surface
- Standard GFN Conveyor, Glass Filled Nylon Belt
- Adjustable Baffles on Side Walls
- Easy Access Control Panel
- Solid State Digital Temperature Control
- Power Switching with Solid State Relays
- Cool Down Cycle
- Emergency Safety Circuits
- Heavy Duty Welded Frame with Locking Casters

Options:

- UL Approved Control Panel
- Polyethylene Package
- Heavy Product Upgrade
- Tunnel Height Increased
- Window & Light Upgrade



Power: 480 VAC
50 Amps
Three Phase

**BUILT FOR
SERIOUS
Performance**

Seal-A-Tron Corporation™ • 3815 S.E. Naef Road. • Portland, OR 97267 • Phone (503) 652-5200

Visit us on the Internet at: <http://www.seal-a-tron.com>